

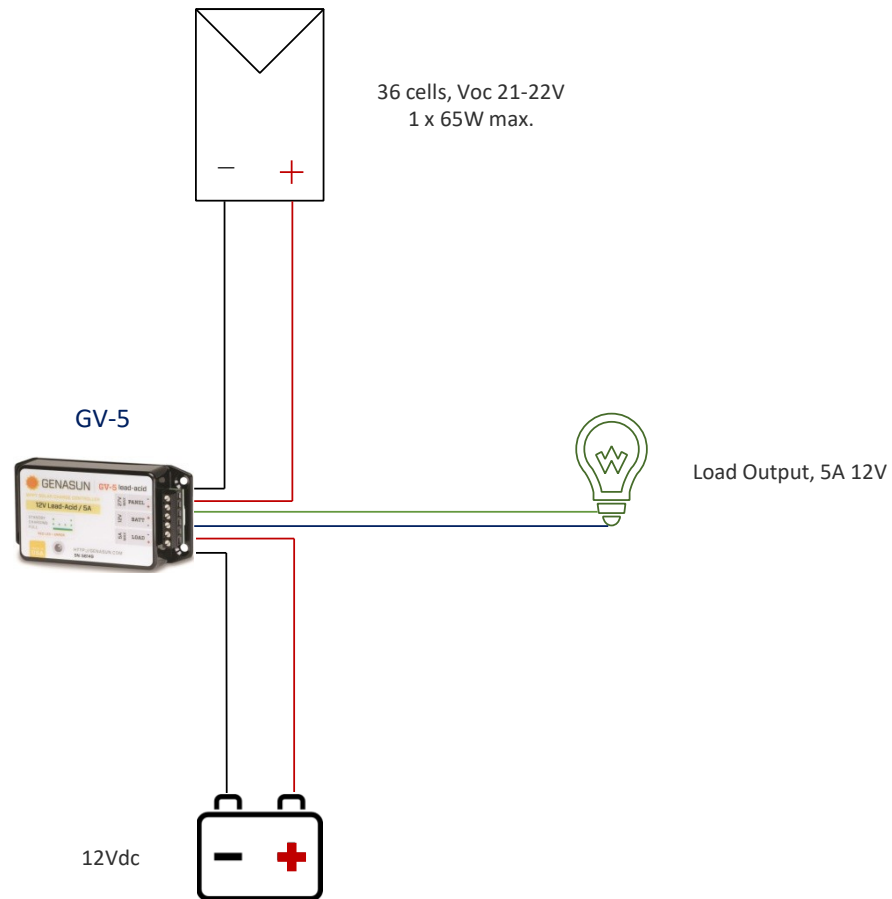
GV-5-Pb-12V  
GV-5-Li-14.2V

System Voltage 12V | Max Voc 27V



**Example #1**

12V PV panel, 65W max. , Battery System Voltage 12V



PV Panel



Battery (AGM or Li)

Blue Sky Energy Inc.

June, 2016

Single Line Diagram - GV-5 @12V

[www.blueskyenergyinc.com](http://www.blueskyenergyinc.com)